

TELEPHONES LE LAS (FRANCE Head Office)

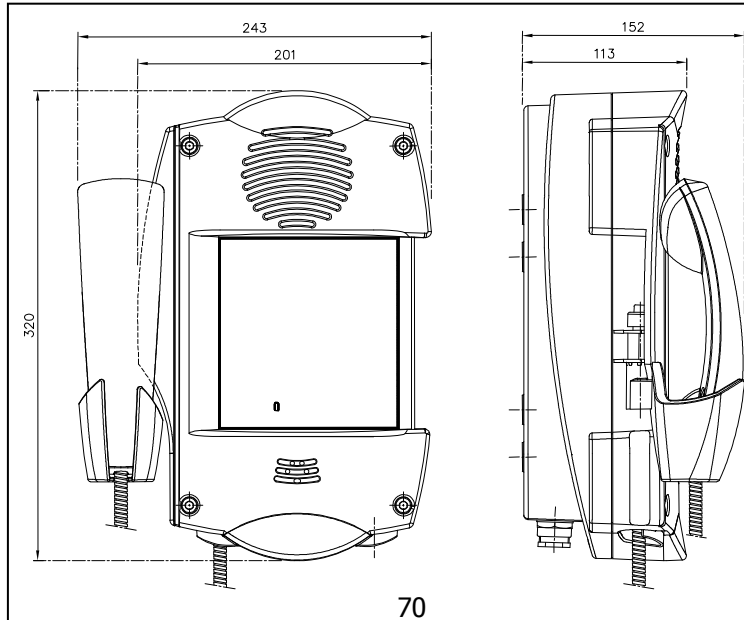
Tel:0033 1 48766262

E-mail: lelas@lelas.fr

Fax:0033 1 48768304

Web-site:www.lelas.fr

All screws are stainless-steel only



Weather proof IP66 telephone
for wall mounting, indoor or outdoor, for the locale
industrial and noisy
P/N TLC402E*A

Electrical Characteristics:

Direct current supply:	12 to 60 Vdc
Consumption:	< 40mA
Ringng voltage:	35 –80 Va
Dialling:	Hang up by DTMF / decimal
Flashing/earth:	adjustable
Electronic Bell:	90dB at 1 m.
Visual calling signal :	On require
Noise cancelling: circuit	noise cancelling
Hook:	magnetic
Conversation Mode:	By handset

Others:

CCITT Q23

(*) TLC402E1A : hook off and call pre-program n° by PABX

TLC402E2A: hook off and call pre-program n° by telephone

Body material / Color:.....Polyester plastic / RAL2003(*)
Handset material / color :Polyester plastic / Black
Handset cord:.....stainless steel (INOX) 100kg resistance
Loudspeaker/microphone:vandal resistant
Mounting:.....on wall
Termination:.....Inside screw connections
Dimensions: : 201 X 320 X 113 mm
Weight:.....2,3 kg
IP-rating:.....IP66
Max. / min. amb. Temp:.....-40 °C / + 60°C
Maintenance:
all circuits and control devices are fixed on the easy removable
front plate for a very quick substitution of equipment in field

(*)Option Color : Red , black or Grey



Installation, Operation and Maintenance Procedures

- Open the pivoting front panel removing the three screws.
- Pass the cables through the cableglads being sure that the cable fit with the rubber gasket
- Connect the telephone wires at the screw terminals as indicated in the operator's book
- Make a functional test calling another extension and asking to be re-called
- Adjust the volume of the bell (see operator's book)
- Adjust the sensitivity of the microphone (see operator's book)
- Close the front panel paying attention to the position of the gaskets
- This equipment is supplied with a 2 year warranty against defective workmanship

